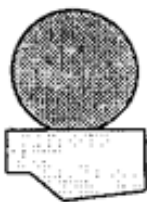


0

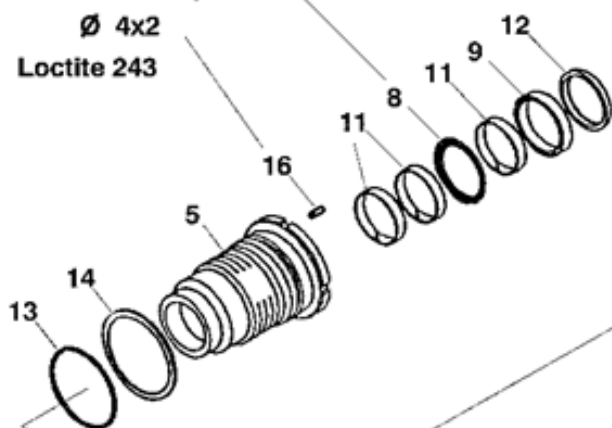
Paine
Tryck
Pressure
Druck



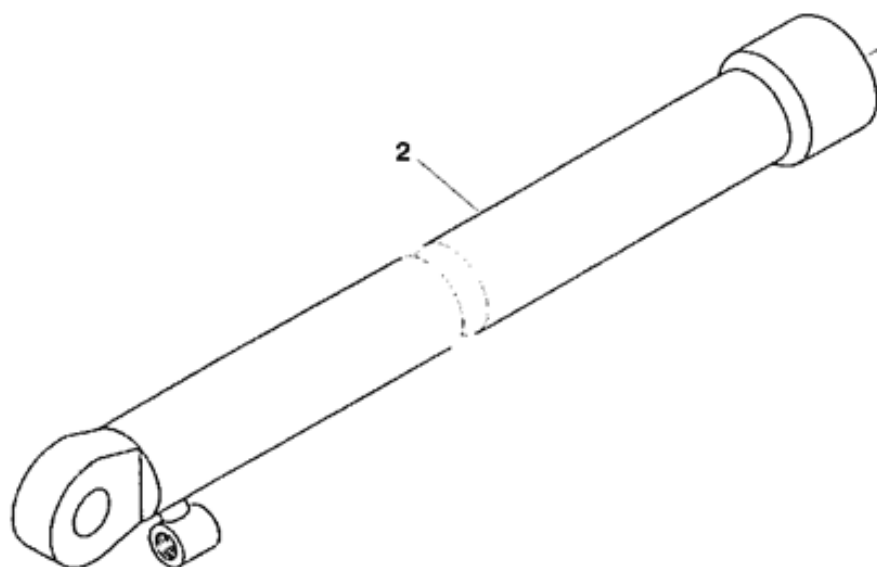
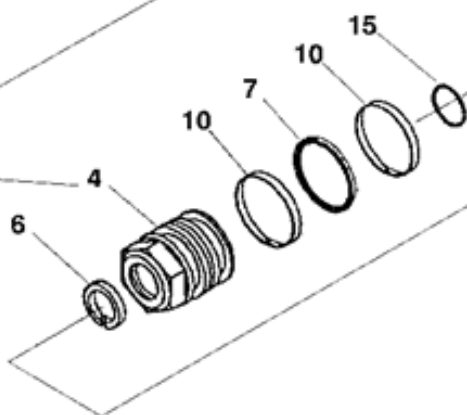
Poraus osaan 2
Borning i del 2
Drill a hole in part 2

Ø 4x2

Loctite 243



215 Nm (22 kpm)



902469